

## Product Specification

Products Name: PROFRESH 0.86M-3014

Model NO: 3308

DOC. NO:

Made by :

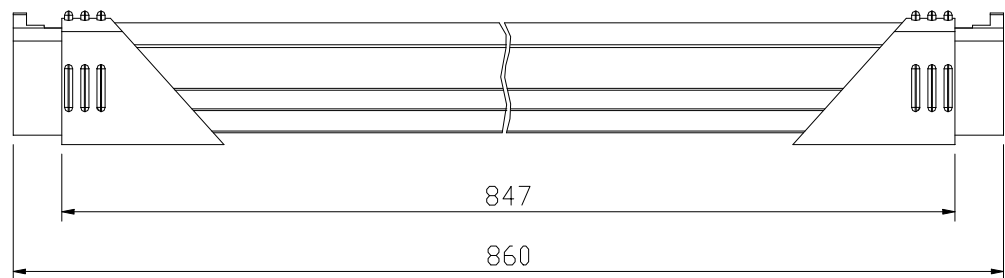
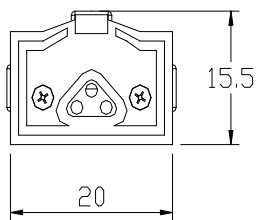
Date:

Confirmed by :

Date:

## 1<sup>st</sup> Part: Product Description

### 1.Photos and Size



## 2. Product features

- 1) Energy-saving : The high power LED as light source, 80% energy saving than incandescent.
- 2) Environmental Protection: does not contain mercury, lead and hazardous substances, no environmental pollution, no infrared and ultraviolet to avoid harm to the human body, its green lighting products.
- 3) Long lifespan: The life of up to 50,000 hours or more.
- 4) The use of low-power bright LED group packages, and heat fixed one to make the product more solid and reliable, life assurance.
- 5) Input voltage is DC24V.
- 6) DC constant current driver, no flicker.
- 7) Direct optical illumination point than traditional lamps have higher light-use efficiency.
- 8) The main use the good thermal conductivity of aluminum(AL6063) , has good heat dissipation.

## 3. Range of Application

For assembling in shelves, furniture, cabinet, display case, wardrobe,KTV, club, the edge of stairs and city lighting decoration areas etc.

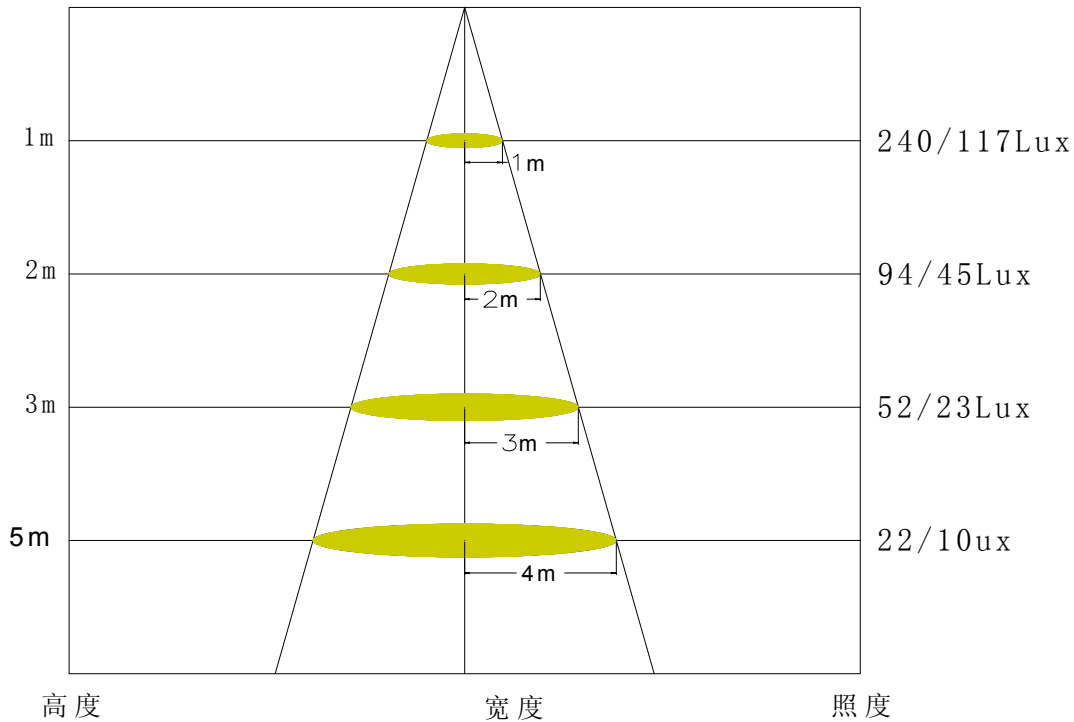
## 2<sup>nd</sup> Part: Technical Parameter

### 1. Basic Technical Parameters

Rated power	13W		
Power Consumption	13±1W		
Input voltage	DC24V		
LED quantity	120 PCS		
LED source	Epistar		
Lamp casing	Milky/PC		
LED Luminous Efficiency	80-90lm/W		
LED Luminous Flux	1200lm		
Luminaire Efficiency	>85%		
Illumination Uniformity	>0.8		
Correlated Color Temperature	2700K-7000K		
Color Rendering Index	Ra≥80		
Beam Angle	120°		
Degree of Protection	IP40		
Operating Ambient Temperature	-40℃~50℃		
Storage Ambient Temperature	-40℃~50℃ (30℃ is the best)		
Lamp Operating Temperature	Ambient Temperature	The Radiator Surface of the Lamp Body	LED Lights Pin
	25℃	45℃	50℃
Certificate	CE、RoHS		
lifespan	50000H		
Dimensions	As specified in the product dimension drawings		
N.W.	0.16kg		

## 2. M Center Illumination

光输出：900lm



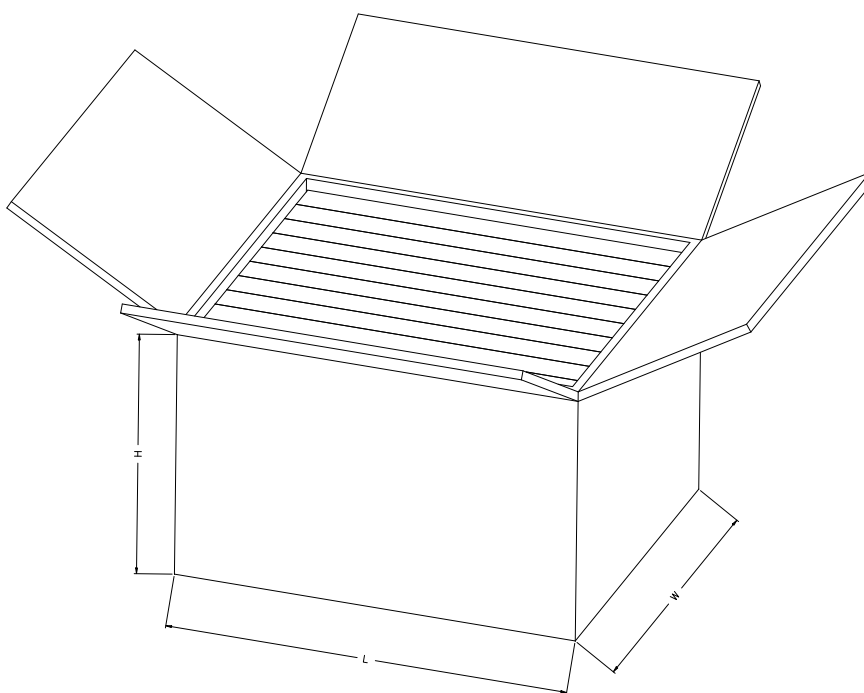
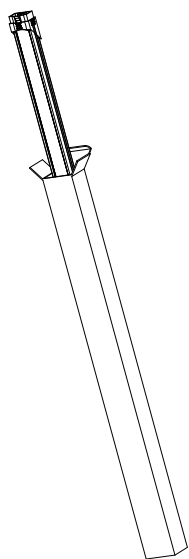
## 3<sup>rd</sup> Part: Product Reliability

NO.	Item	Test methods	Through the standard
1	Temperature rise test	Ambient Temperature of 25°C, the lamp surface temperature below 65°C, LED temperature below 75°C	Ambient Temperature of 25°C, the lamp surface temperature below 65°C, LED temperature below 75°C
2	High temperature and pressure test	Ambient temperature of 60°C, enter the 1.1times rated voltage, light work 24hours	Lighting to work properly after the test
3	Low temperature and pressure test	Ambient temperature of -15°C, enter the 0.9 times rated voltage, light work 24hours	Lighting to work properly after the test
4	Vibration tests	Vibration velocity is set to 300rev/min, the amplitude is set to 2.54 cm, six surface vibration test on the packaged product.	The lamps can not occur off parts, structural damaged, the lighting does not shine and other anomalies.
5	Impact test at room temperature	Ambient temperature of 25°C, lighting 30s, lighting -30s, circulation 10,000	The lamps can not occur leakage,not lit and electrical anomalies

6	Life test	Ambient temperature of 25 ° C, lit test, the first three months every 10 days, testing, optical parameters, three months after a month testing the optical parameters, 70% of the initial luminous flux for the life of the product, turn off the lights for the absolute life	Luminous flux for 90% of the initial luminous flux of 3000 hours, 30,000 hours of luminous flux should be greater than 70% of the initial luminous flux
---	-----------	--	---

## 4<sup>th</sup> Part: Package

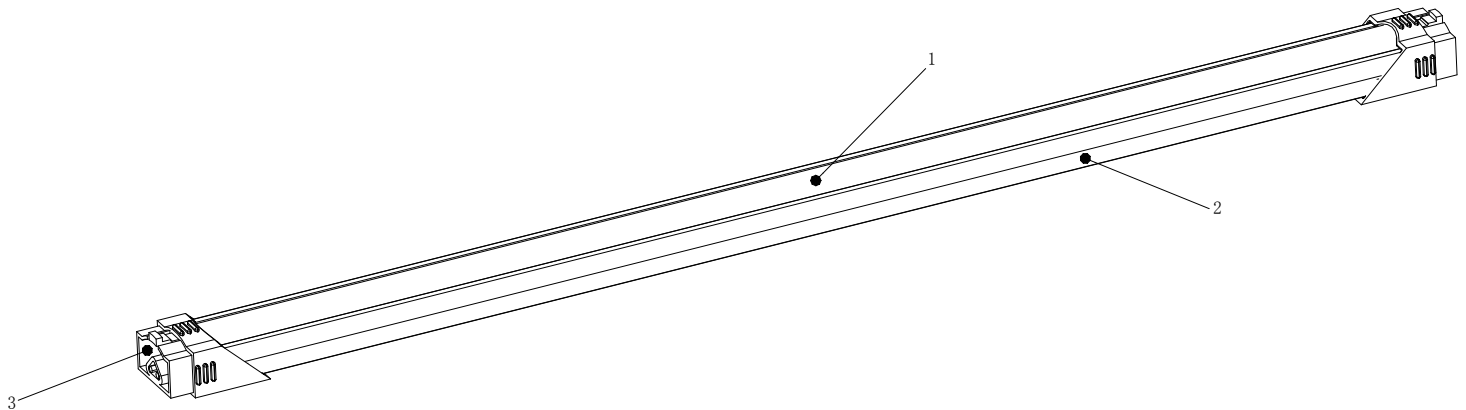
Item	Inner box	Outer box
Quantity	box/1	box/100
Size	L25x W20 x H870	L930 x W290 x H300
N.W	0.16kg	16kg
G.W	0.22kg	24kg



## 5<sup>th</sup> Part: Installation Instructions

1. Open the lamp box, remove the lamp to check is there any collision or other injuries, if any damages, please contact manufacturer immediately.

2. The main diagram as follows:

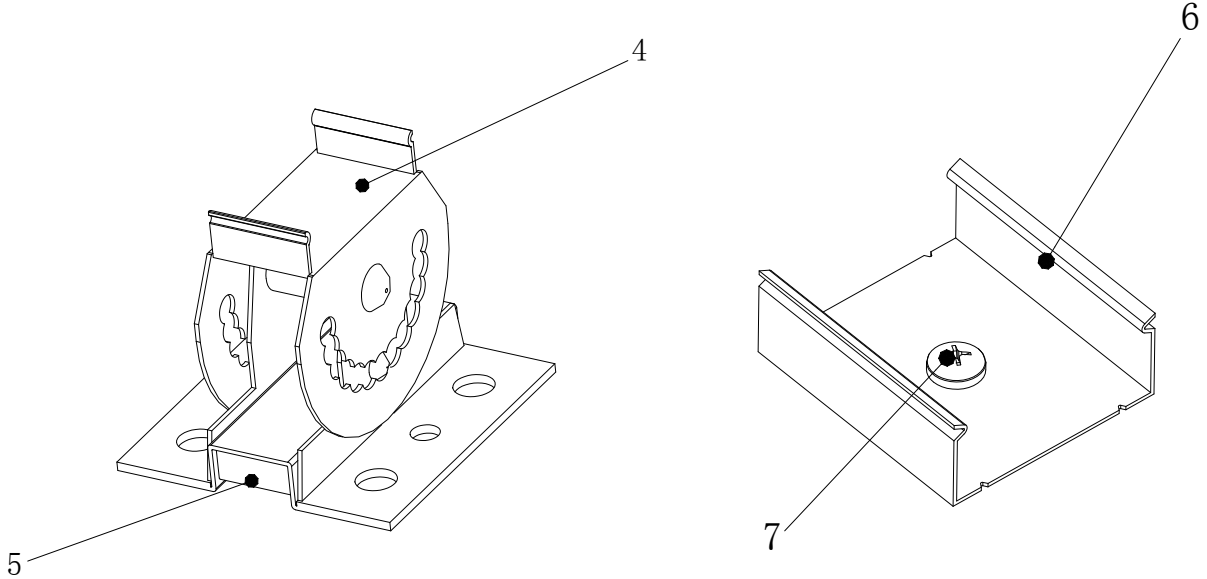


Description: 1. Emitting Area    2. Main body    3. Connector

1. Fixed lamp body as diagram: (note: two kinds of bracket Optional, the user can select according to demand )

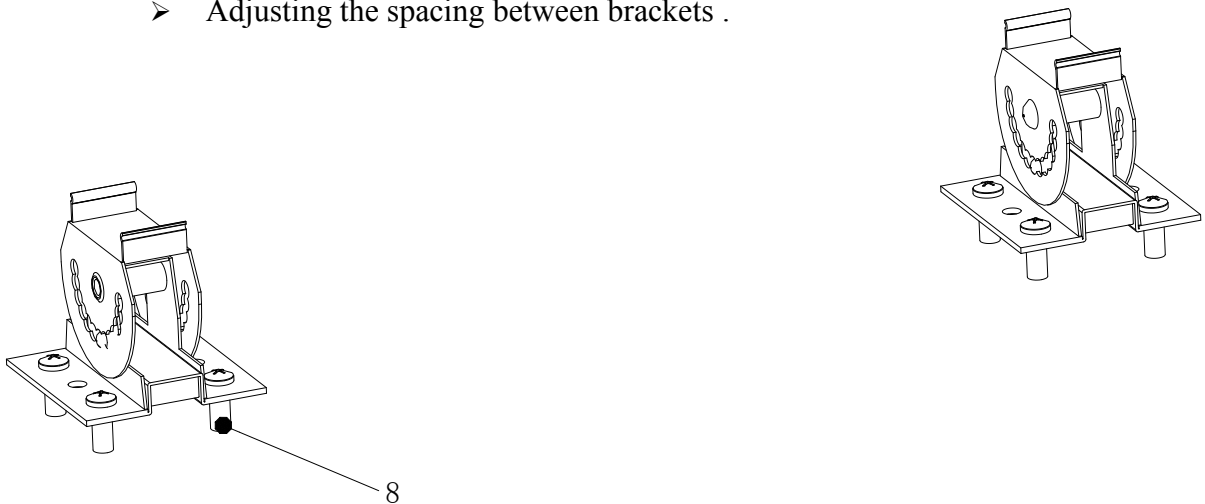
- Rotatable bracket (180°)  
Optional variable clip

Fixed bracket



Note: 4. Swivel bracket 5. Magnet 6. Fixed bracket 7. Screw

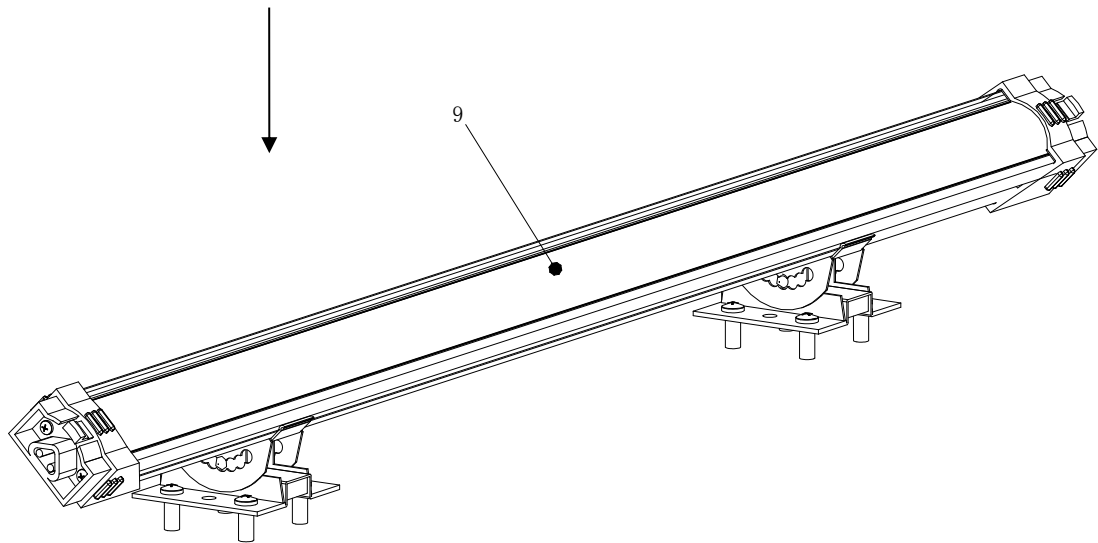
- Adjusting the spacing between brackets .



Note: 8. Screw



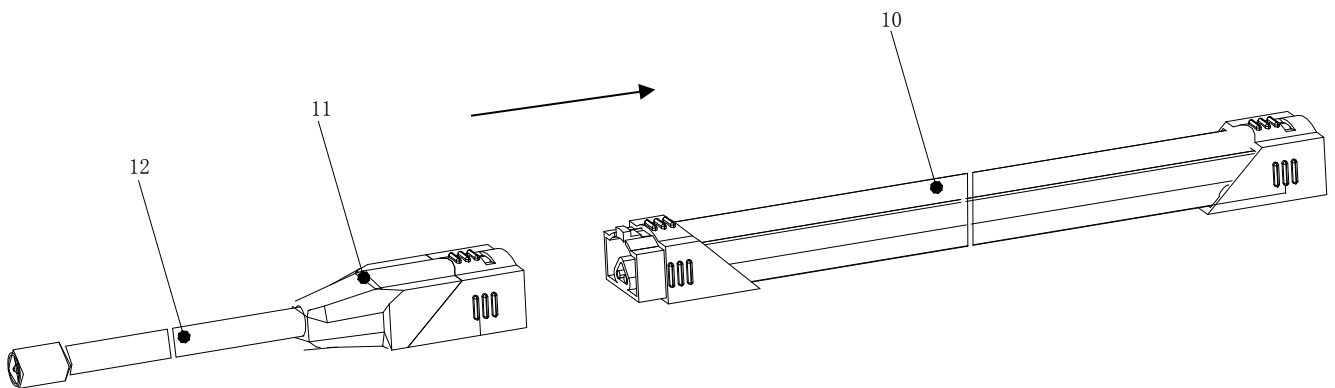
Press down the bar light to make it fixed mount



Note: 9. Bar light

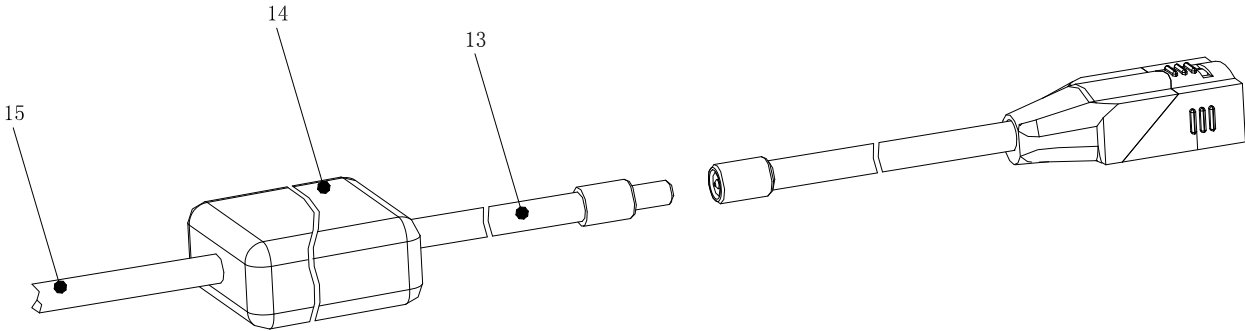
1. Connection as diagram: (note: our Standard length of configuration connecting wire is 300mm, alterable based on usage)

➤ Insert the connector into the Bar light



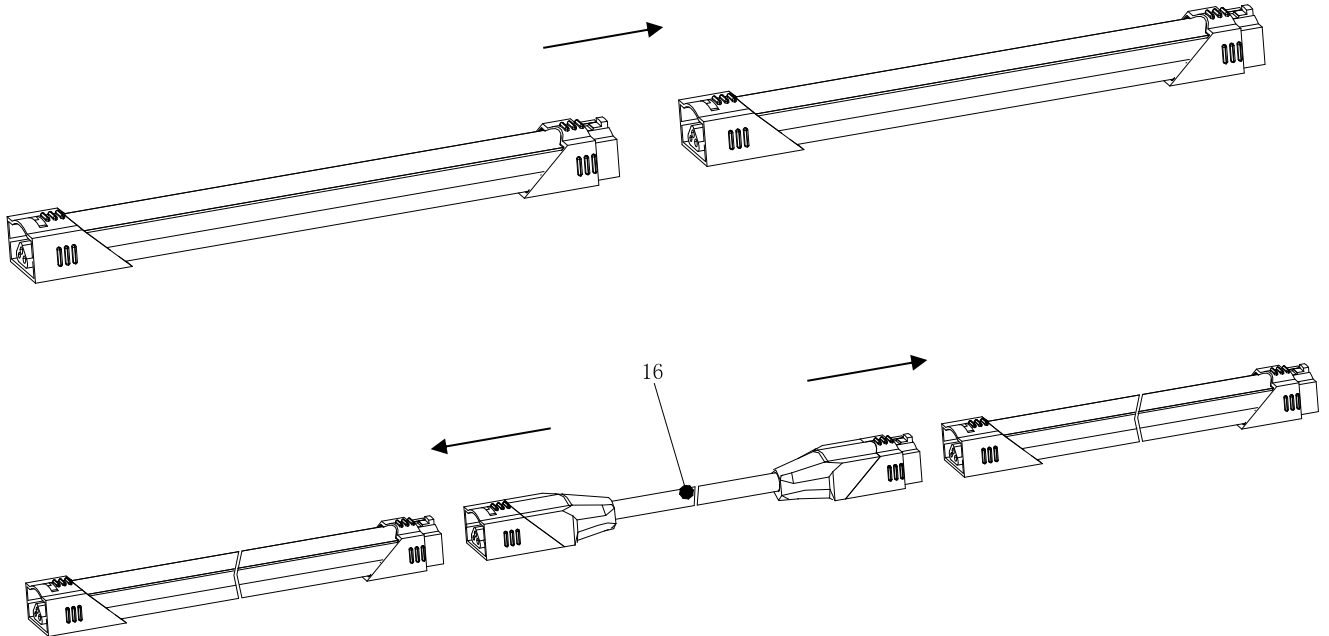
Note: 10. Bar light 11. Connector 12. DC male-female wire

- Connected the power cord with DC male-female wire



Note: 13. DC male-female wire 14. Power supply 15. AC Input line

- Connection directly between both ends of bar light. can use connector if need intervals installation ( note: please inform measurements if need intervals installation)



Note: 16. connection line/ connector

Note: Connection in series can be up to 120w (Max) for our standard configuration adapter ,

More than 120w, need to increase power based on the usage total power

## 6<sup>th</sup> Part: Note Description

1. All of the above test data are within the specified range of input voltage and rated output, the working environment temperature of 25°C, humidity less than 85%, the emitting angle of 120degrees under the conditions of the test to obtain.
2. Note: Non-waterproof,for indoor use only.
3. Checking the voltage, current compliance requirements; please do not disassemble product without authorization.
4. If the products cannot work properly due to product quality defects, the warranty replacement within 3 years.